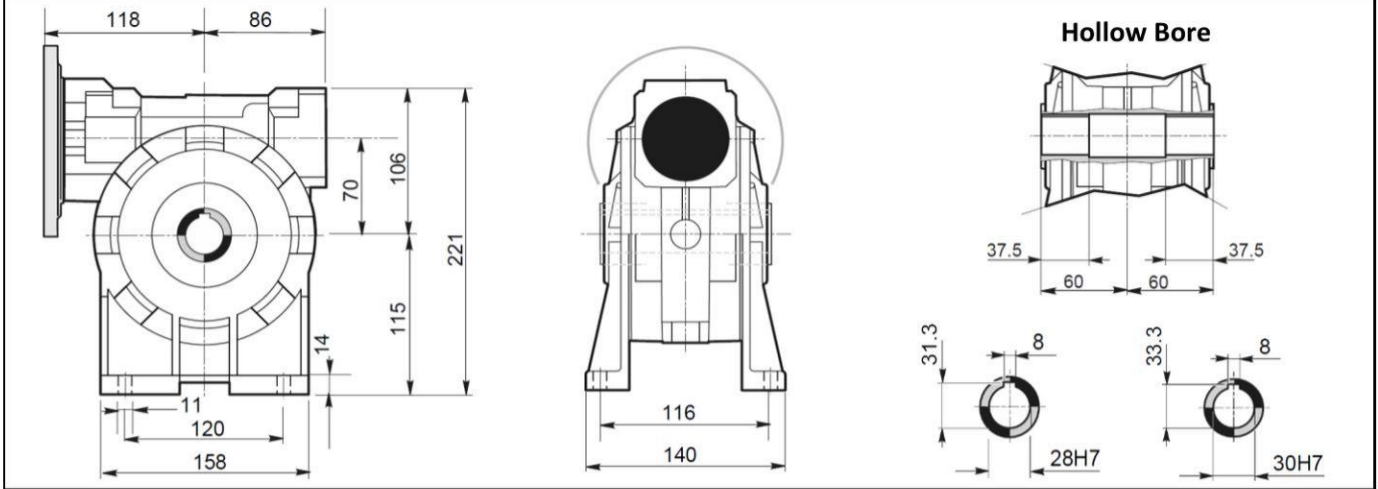
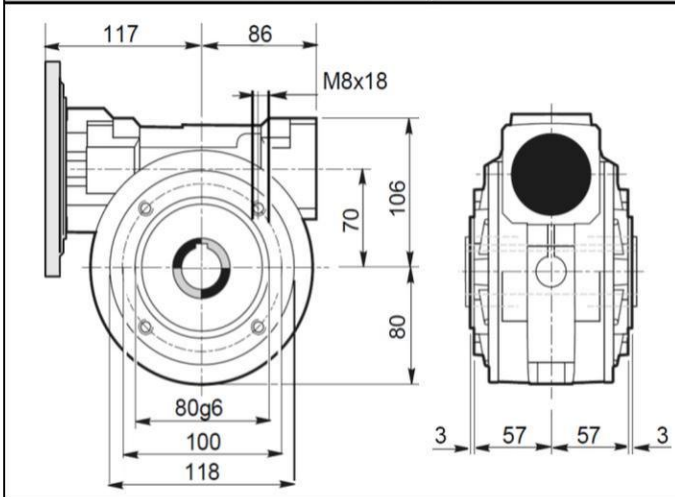


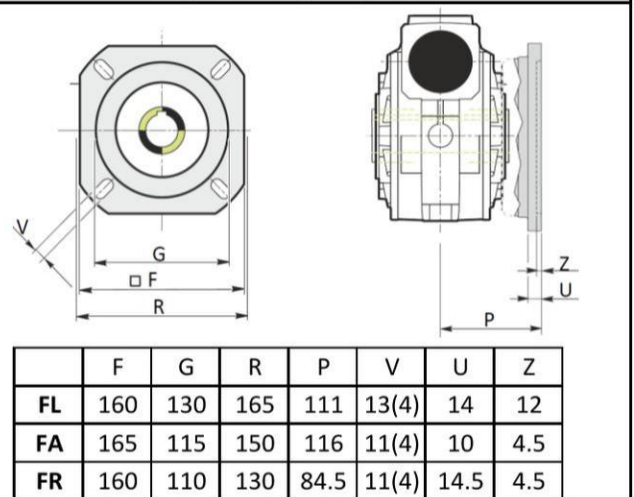
### Foot Mounted Style S



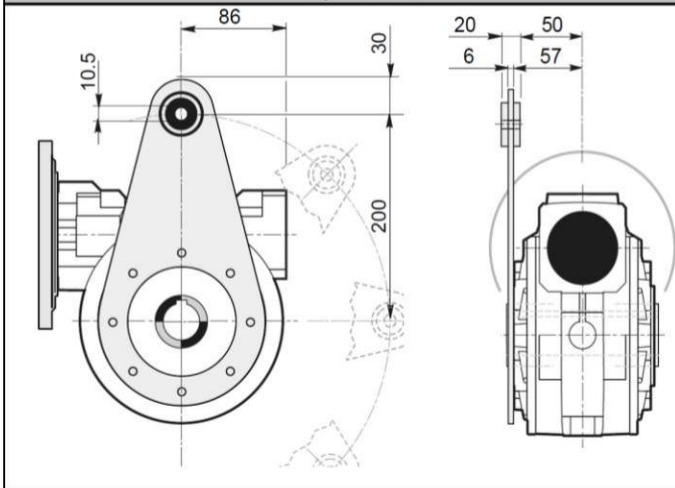
### Shaft Mounted Style PC



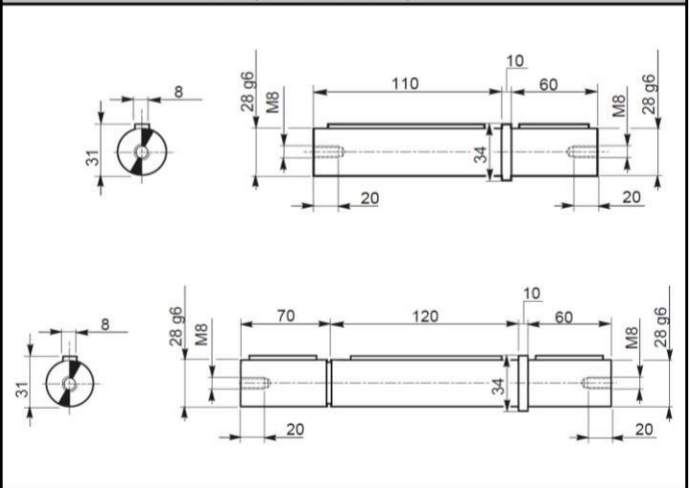
### Output Flange Options



### Torque Arm



### Output Shaft Options



### Input Motor Flange Dimensions

IEC	71B5	80B14	80B5	90B14	90B5	100B14	100B5
<b>D</b>	14	19	19	24	24	28	28
<b>P</b>	160	120	200	140	200	160	250
<b>M</b>	130	100	165	115	165	130	215
<b>N</b>	110	80	130	95	130	110	180

