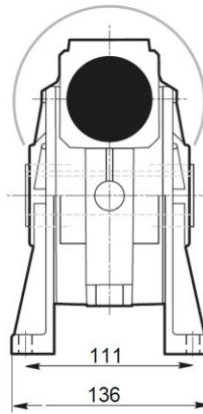
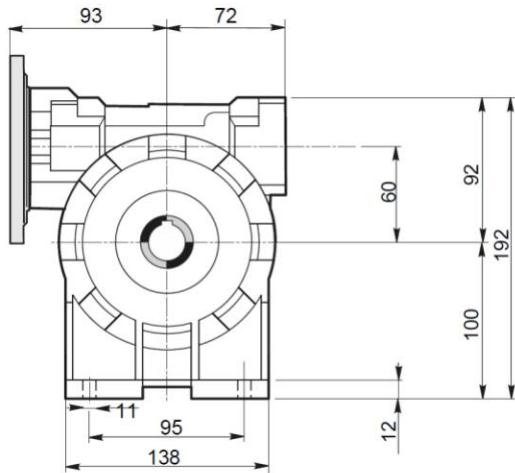
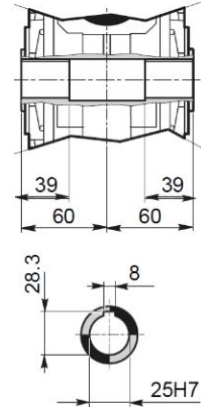


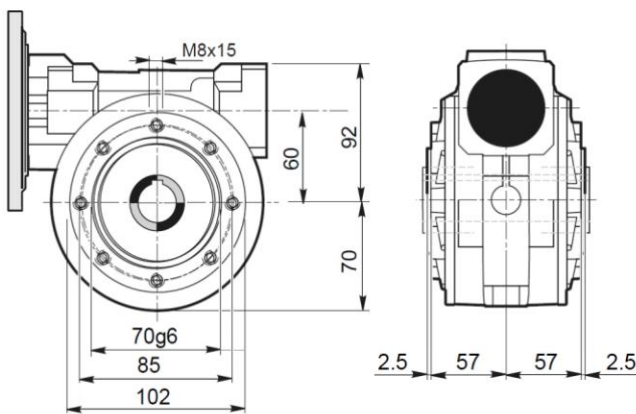
Foot Mounted Style S



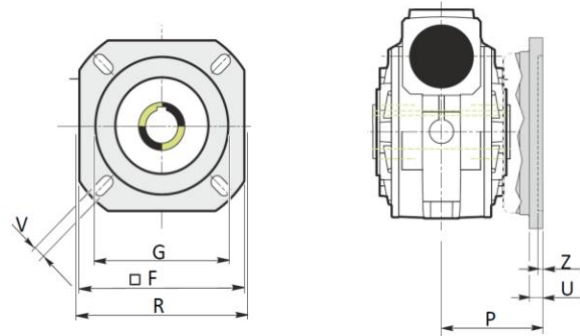
Hollow Bore



Shaft Mounted Style PC

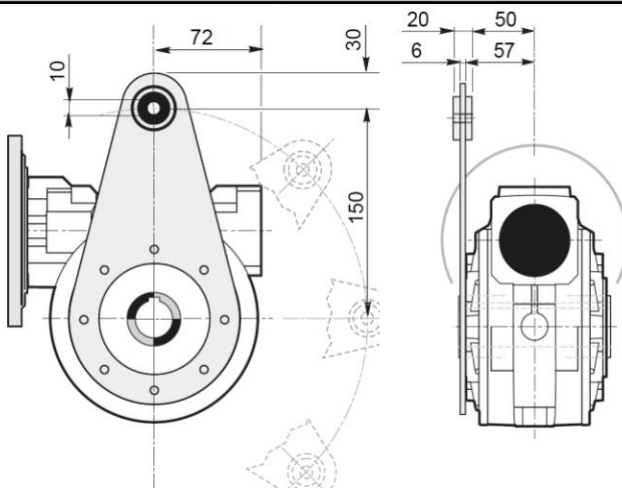


Output Flange Options

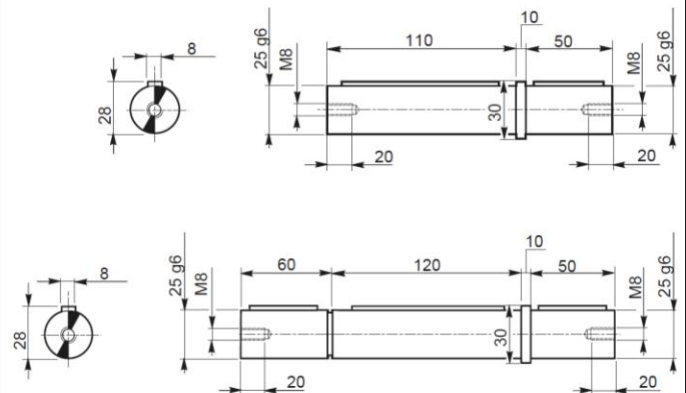


| | F | G | R | P | V | U | Z |
|-----------|-----|-----|-----|-----|--------|----|----|
| FL | 142 | 115 | 150 | 116 | 10.5-4 | 11 | 10 |
| FA | 142 | 110 | 130 | 90 | 10.5-4 | 15 | 10 |
| FB | 142 | 115 | 150 | 86 | 11(4) | 11 | 10 |

Torque Arm



Output Shaft Options



Input Motor Flange Dimensions

| IEC | 63B5 | 71B14 | 71B5 | 80B14 | 80B5 | 90B14 | 90B5 |
|----------|------|-------|------|-------|------|-------|------|
| D | 11 | 14 | 14 | 19 | 19 | 24 | 24 |
| P | 140 | 105 | 160 | 120 | 200 | 140 | 200 |
| M | 115 | 85 | 130 | 100 | 165 | 115 | 165 |
| N | 95 | 70 | 110 | 80 | 130 | 95 | 130 |

